

# LFXMAX SERIES Outdoor Lighting

## LFXMAX-LG-70-150W-MCTP-PSR

LFXMAX SPEC SERIES MAXIMUM-FEATURE AREA/FLOOD LIGHT, SENSOR & PHOTOCCELL READY

**MCTP** Multi Color Temperature & Multi Power/Wattage (Selectable)

**WESTGATE**  
THE FUTURE IS HERE...AND IT'S QUITE BRIGHT!

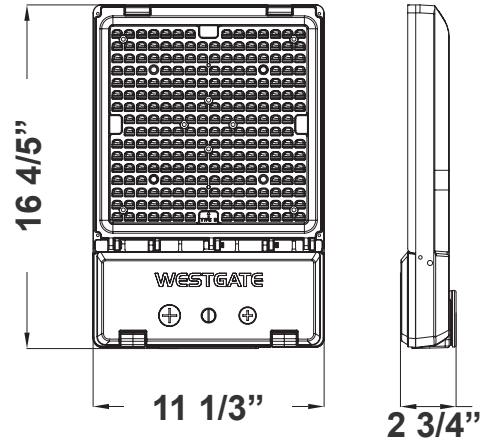


Customer Name: \_\_\_\_\_

Project Name: \_\_\_\_\_

Note: \_\_\_\_\_

Type: \_\_\_\_\_



16 4/5"(H) x 11 1/3"(W) x 2 3/4"(D)

the LFXMAX Flood Light by Westgate: compatible with all LFX mounts, featuring a rotatable lens for precise lighting, a selection of lens types, and adjustable wattage and CCT. Perfect for versatile, efficient lighting solutions.

## Features

- DLC Premium & LED High-Lumen Flood lights
- Solid State Lighting Technology for Long Life
- No Maintenance Needed and High-Efficiency
- 7-Year Warranty
- Optic Lens Type: III
- Multi-Power - The Switch is On the Bottom of the Fixture

## Technical Specifications

### Electrical:

- Voltage: 120~277V AC/50~60 Hz
- Wattage: 70W/100W/150W
- Power Factor: >0.9
- Efficacy: 145 LPW

### Mechanical:

- With Snap-on & Bolt Mounting Options for One- Person Installations. Select a Mounting Option (Sold Separately)
- LED: Lumileds Luxeon 2835 High Flux LED
- Cord Type: 6' SJTW 18/3 AWG cable
- Die-cast Aluminum Housing with Powder Coat Finish (Dark Bronze)
- 10KV Lightning Surge Protection
- Effective Projected Areas (EPA's) are: Front = 0.38 ft<sup>2</sup>, Side = 0.30 ft<sup>2</sup>, Face = 1.05 ft<sup>2</sup>
- Operating Temperature: -40°F to 104°F
- IP Rating: IP65, Suitable for Wet Locations
- 7-Year Warranty

### Lighting:

- Dimming: 0~10V Dimmable
- Optic Lens Type: III
- Total Lumens: 21400LM Max.
- Color Temperature: 3000K/ 4000K/ 5000K
- Color Rendering Index: ≥ 80
- Beam Angle: 155°x75° Type III
- 70,000 Hours Rated Life

### Applications:

- Ideal for general site lighting, alleys, loading docks, doorway, pathway and parking areas.
- Replace existing HID flood lights/ wall packs

### Other Models:

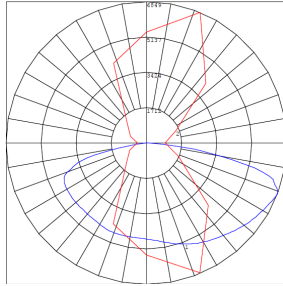
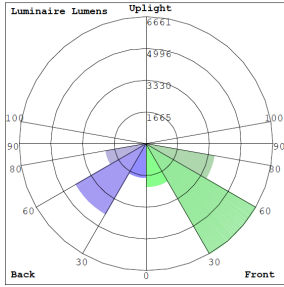
- 145W | 43500LM | LFXMAX-XL-200-300W-MCTP-PSR



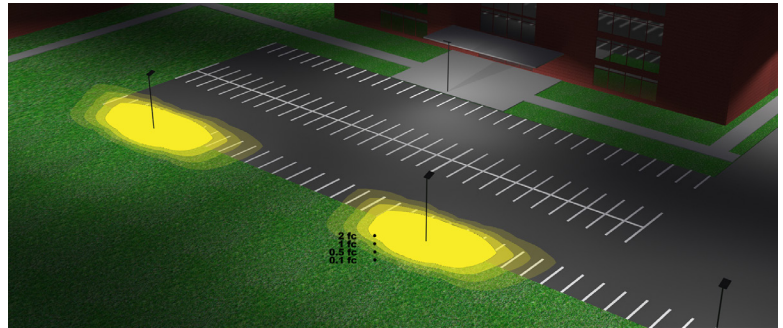
Phone: (877) 805-2252 | Fax: (877) 805-2252  
www.westgatemfg.com |



## Photometrics: LFXMAX-LG-70-150W-MCTP-PSR



BUG Rating: B3-U0-G3



Area 55'x 100' Mounting Height: 20'

## Other Views:



Side View



Front View



Back View

## Performance Table: LFXMAX-LG-70-150W-MCTP-PSR

MODEL NO.	Wattage	Voltage	Lumens	Color Temp.	BUG Rating	LPW
LFXMAX-LG-70-150W-MCTP-PSR	70W	120~277V	10150LM	3000K 4000K 5000K	B3-U0-G3	145
	100W		14500LM			
	150W		21750LM			

## Sample Ordering

Model Size Min. Watt Max. Watt Color Temp. Feature

LFXMAX - LG - 70 - 150W - MCTP - PSR

## Accessories Options

Blank = No Option for Accessories  
WEC-3RC = Remote Control

## Factory Installed Options

Blank = No Factory Installed Options  
PC-TWIST = 120-227V Twist Lock Photocell  
WEC-3PR-78-AJ-WH = PIR Bi-Level Motion Sensor  
WEC-3PBT-78-AJ-WH = Smart Bluetooth PIR Bi-Level Motion Sensor, Req. Westgate Smart Phone APP

## SENSOR AND REMOTE CONTROL OPTIONS



WEC-3PR-78-AJ-WH  
WEC-3PBT-78-AJ-WH



PC-TWIST



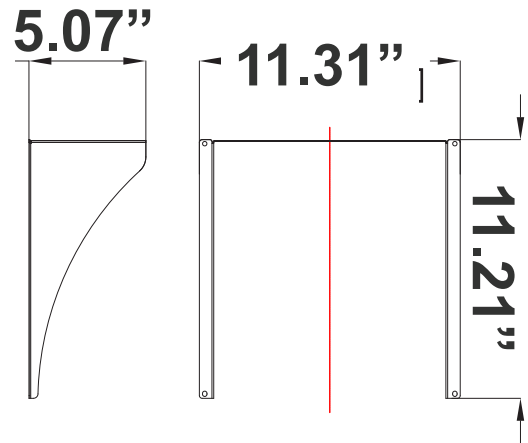
WEC-3RC  
Remote control



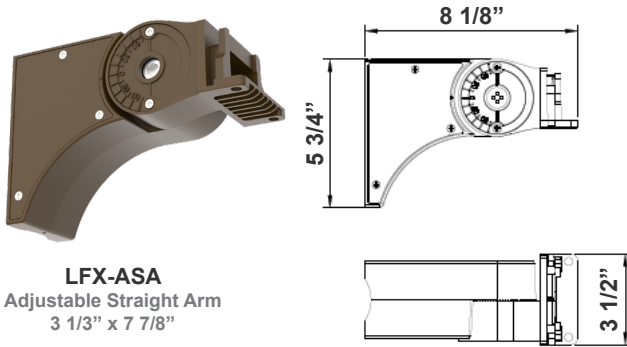
## Shroud:



**LFXMAX-LG-SHROUD-H**  
Reversible Shroud for 150W  
11.31"(W) x 11.21"(H) x 5.07"(D)



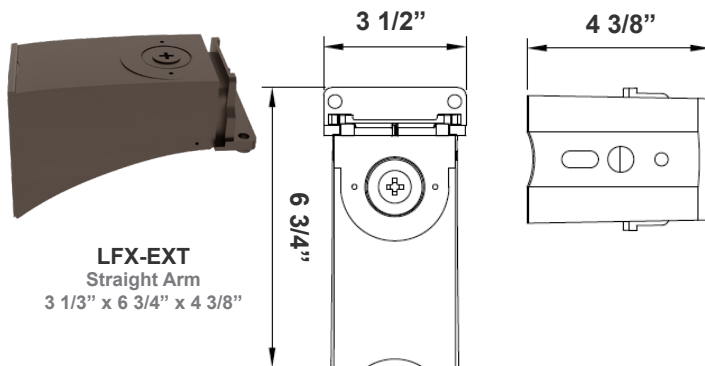
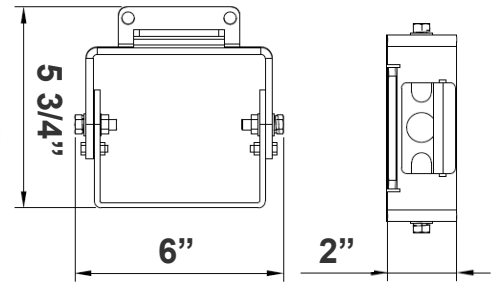
## Mounting Options:



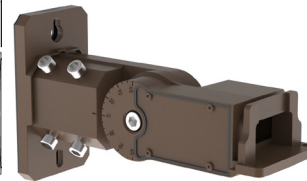
**LFX-ASA**  
Adjustable Straight Arm  
3 1/3" x 7 7/8"



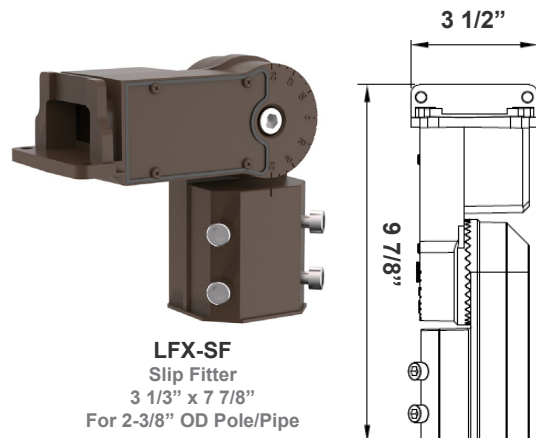
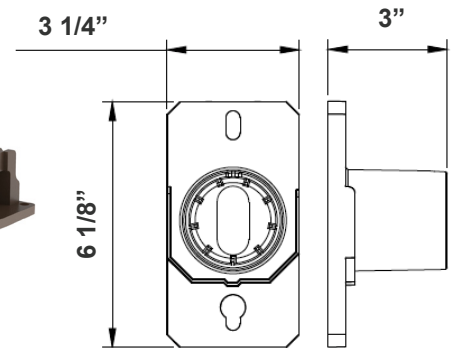
**LFX-YK**  
Yoke  
5 3/4" x 6" x 2"



**LFX-EXT**  
Straight Arm  
3 1/3" x 6 3/4" x 4 3/8"



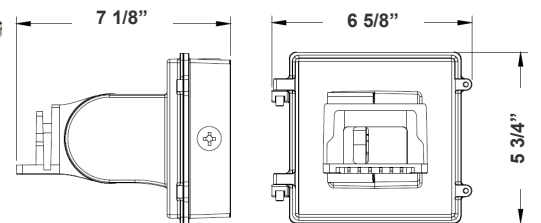
**LFX-SF + LFX-PASF**  
Pole Adapter for Slip Fitter  
6 1/8" x 3 1/4" x 3"



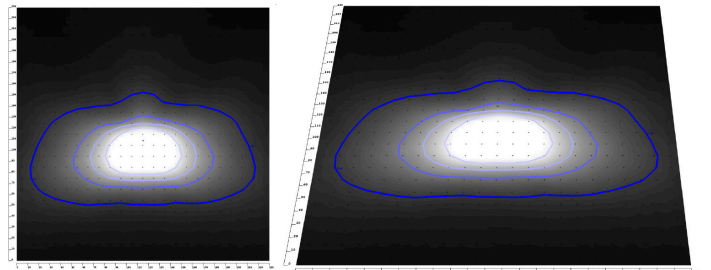
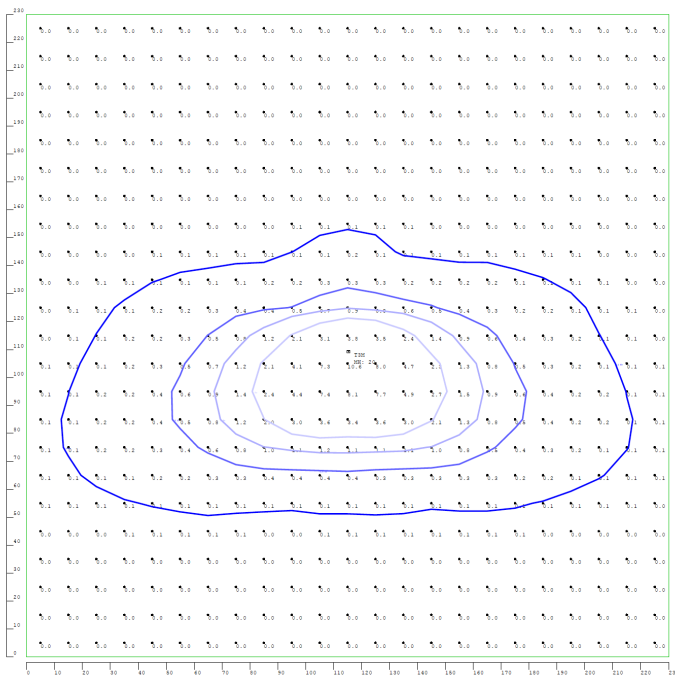
**LFX-SF**  
Slip Fitter  
3 1/3" x 7 7/8"  
For 2-3/8" OD Pole/Pipe



**LFX-AWB**  
Adjustable Wall Junction Box  
7 1/8" x 6 5/8" x 5 3/4"



## Type Lenses:



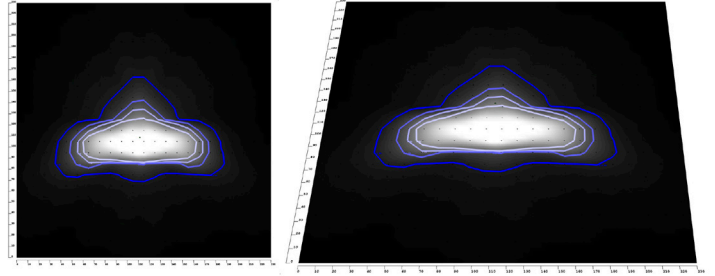
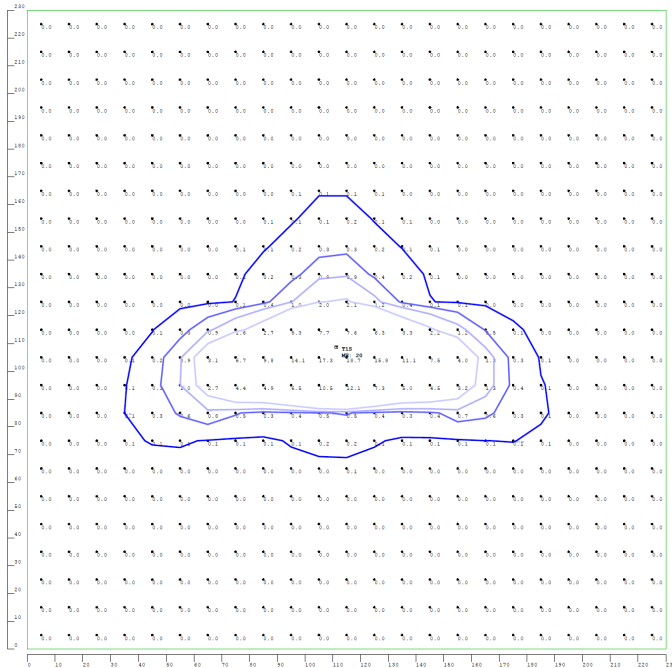
### LFXMAX-LG-LENS-T3M LFMAX-LG Type T3M Lens

- Offers Even Wider Light Distribution
- Ideal For Lighting Streets And Roadways
- Provides Uniform Illumination
- Pre-Installed



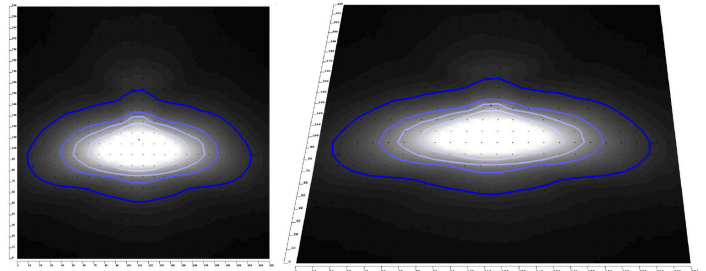
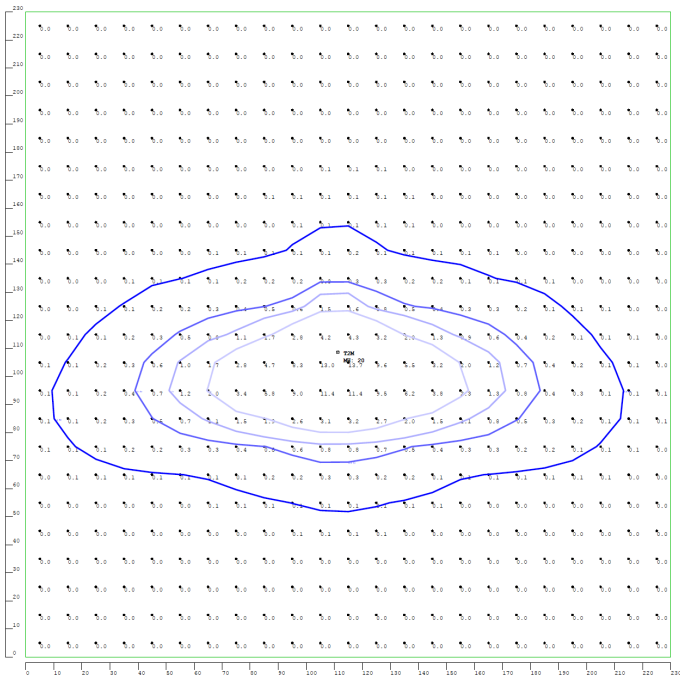


## Type Lenses:



### LFXMAX-LG-LENS-T1S LFMAX-LG Type T1S Lens

- Use It For Focused Lighting
- Great For Highlighting Specific Objects or Narrow Pathways

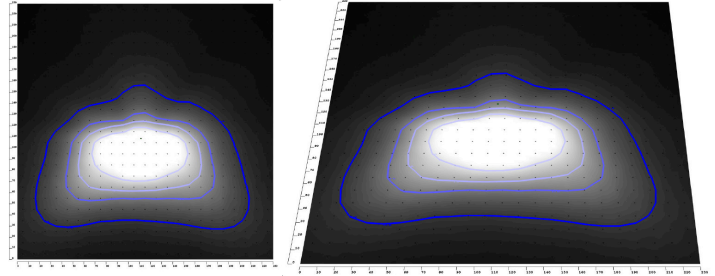
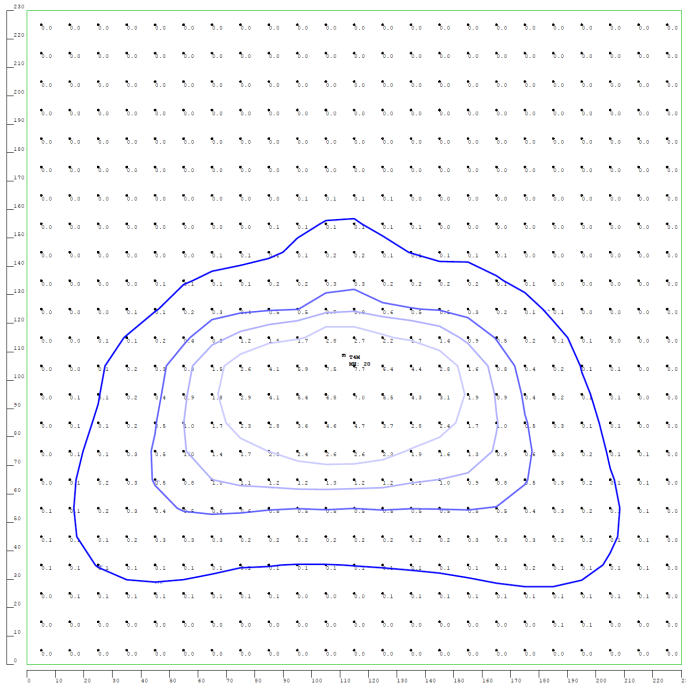


### LFXMAX-LG-LENS-T2M LFMAX-LG Type T2M Lens

- Provides a broader beam of light.
- Suitable for general area lighting.
- Works well for walkways.

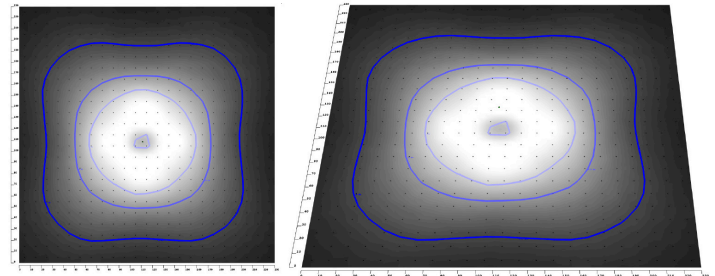
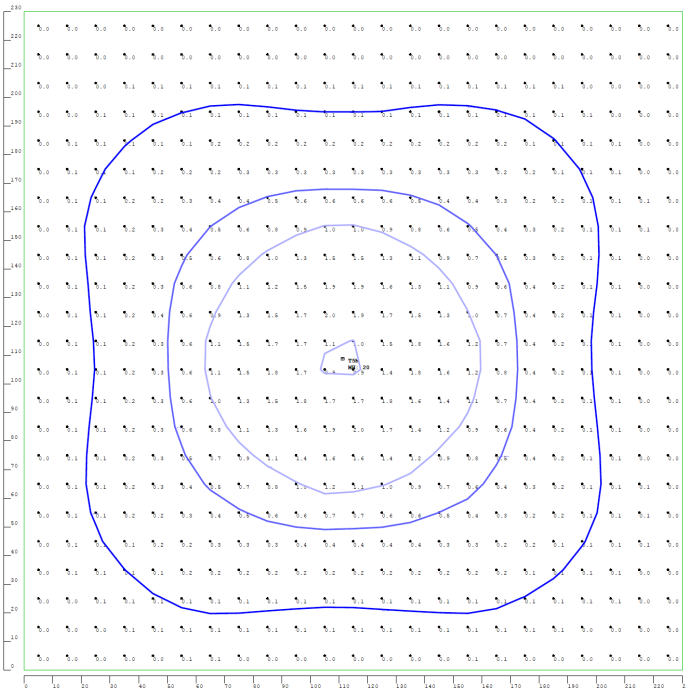


## Type Lenses:



### LFXMAX-LG-LENS-T4M LFMAX-LG Type T4M Lens

- Gives Asymmetrical Light Distribution
- Great For Pathways And Parking Lots
- Minimizes Light Spill Onto Nearby Areas

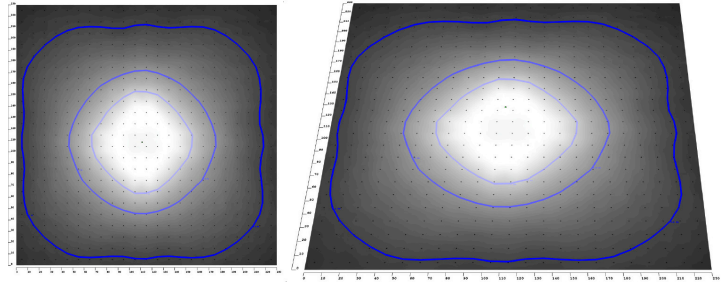
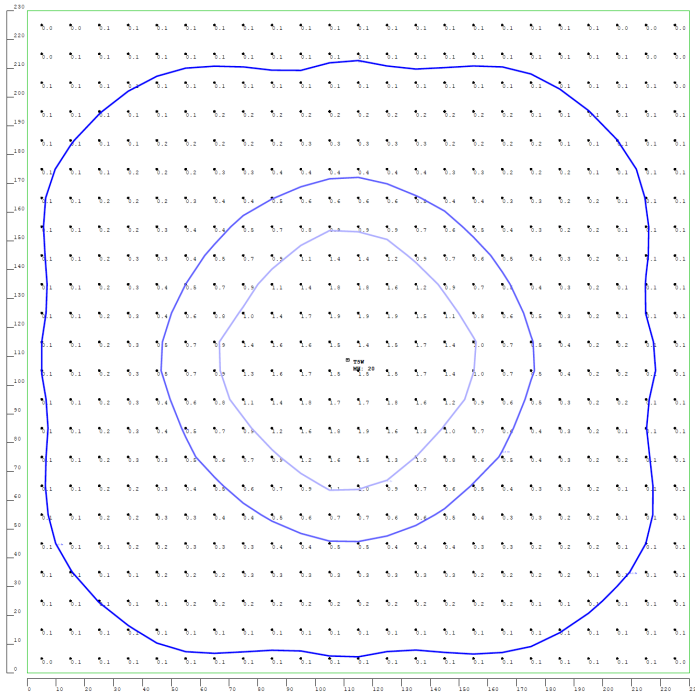


### LFXMAX-LG-LENS-T5M LFMAX-LG Type T5M Lens

- Provides A Very Wide And Even Spread Of Light
- Perfect For Large Open Spaces Like Sports Fields
- Ensures Comprehensive Coverage

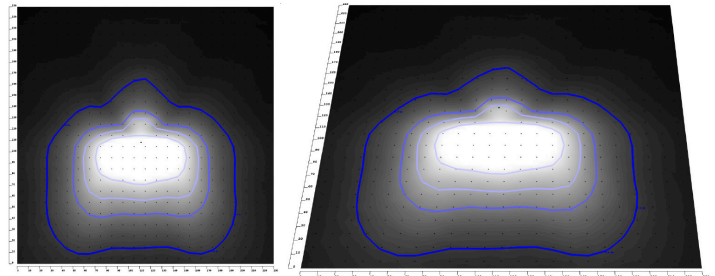
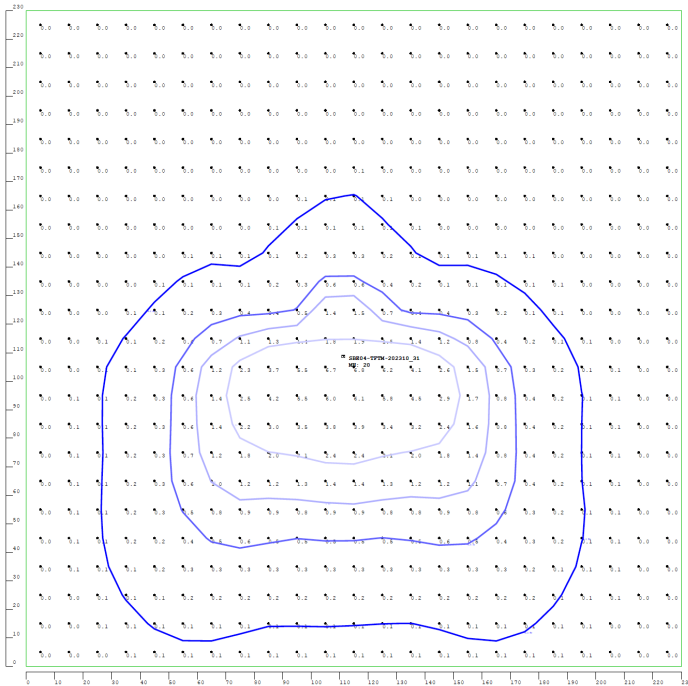


## Type Lenses:



### LFXMAX-LG-LENS-T5W LFMAX-LG Type T5W Lens

- Similar to T5M But Slightly Wider
- Use Where broader Coverage is Needed
- Suitable For Open Areas And Plazas

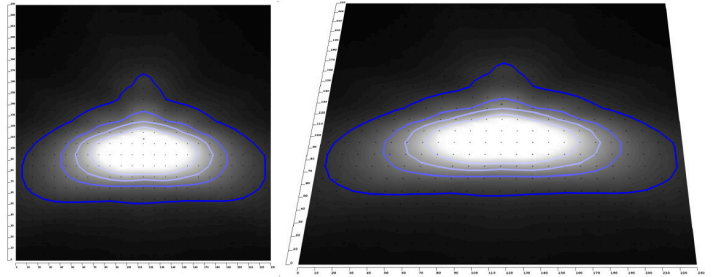
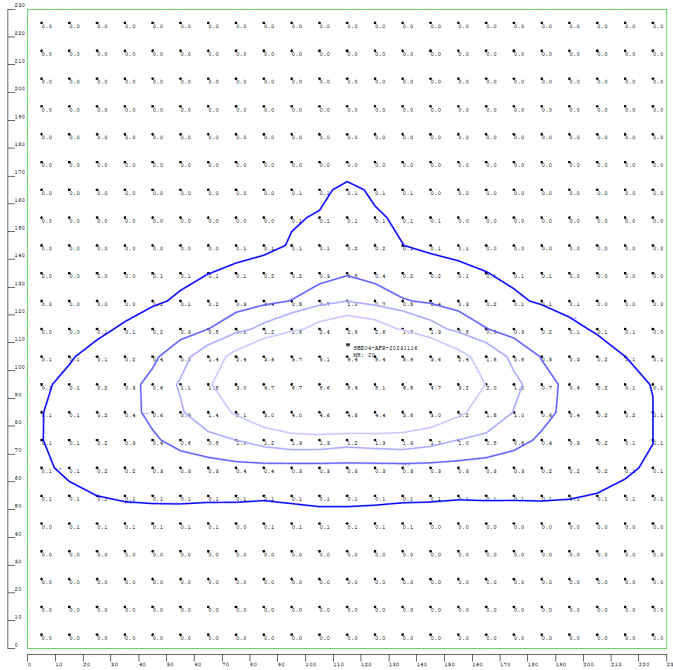


### LFXMAX-LG-LENS-TFTM LFMAX-LG Type TFTM Lens

- Directs Light Forward For Specific Illumination
- Excellent For Architectural And Landscape Lighting
- Highlights Objects Or Features Effectively



## Type Lenses:



**LFXMAX-LG-LENS-AFR**  
**LFMAX-LG Type AFR Lens**

- **Sports Stadiums:** Long-range field illumination.
- **Outdoor Events:** Wide area coverage.
- **Security Lighting:** Enhanced distant visibility.
- **Architectural Lighting:** Highlighting tall structures.

